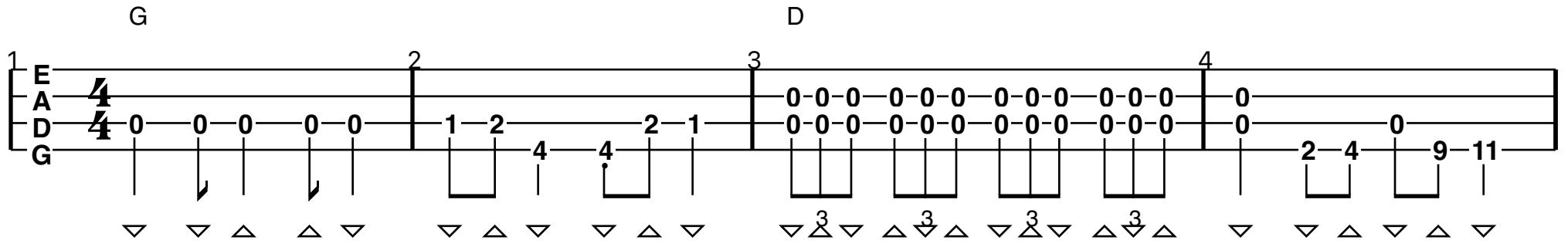


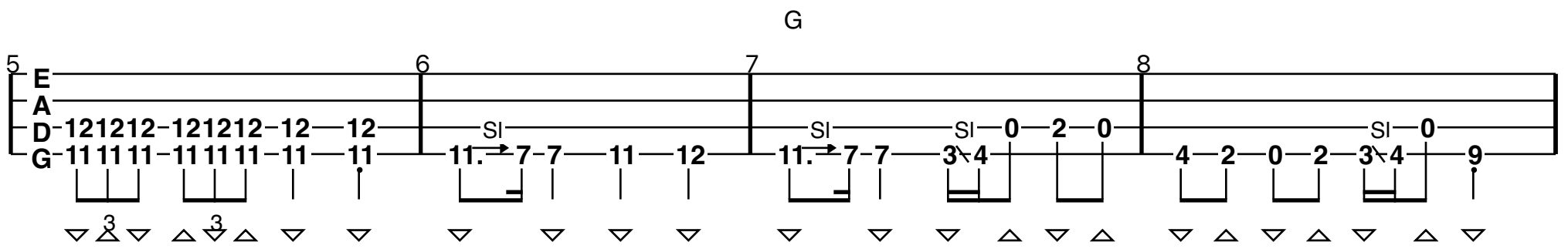
Closer Walk With Thee

Larry Sparks Mandolin Break

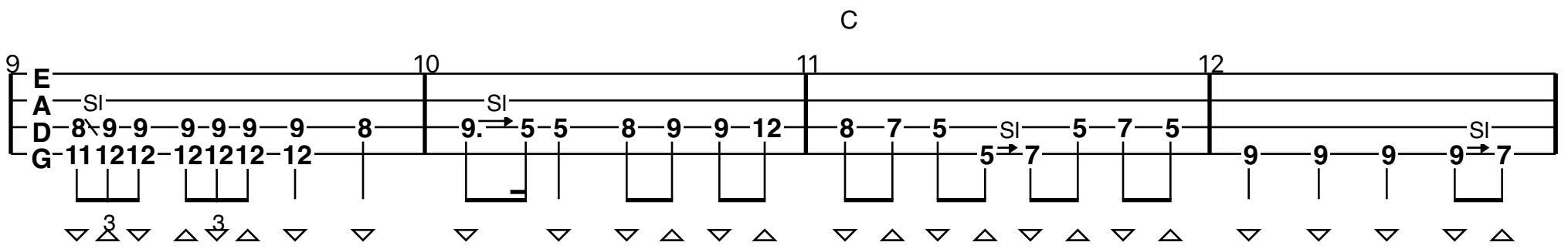
1 **G** **D**



5 **G**



9 **C**



13 **G** **D** **G**

